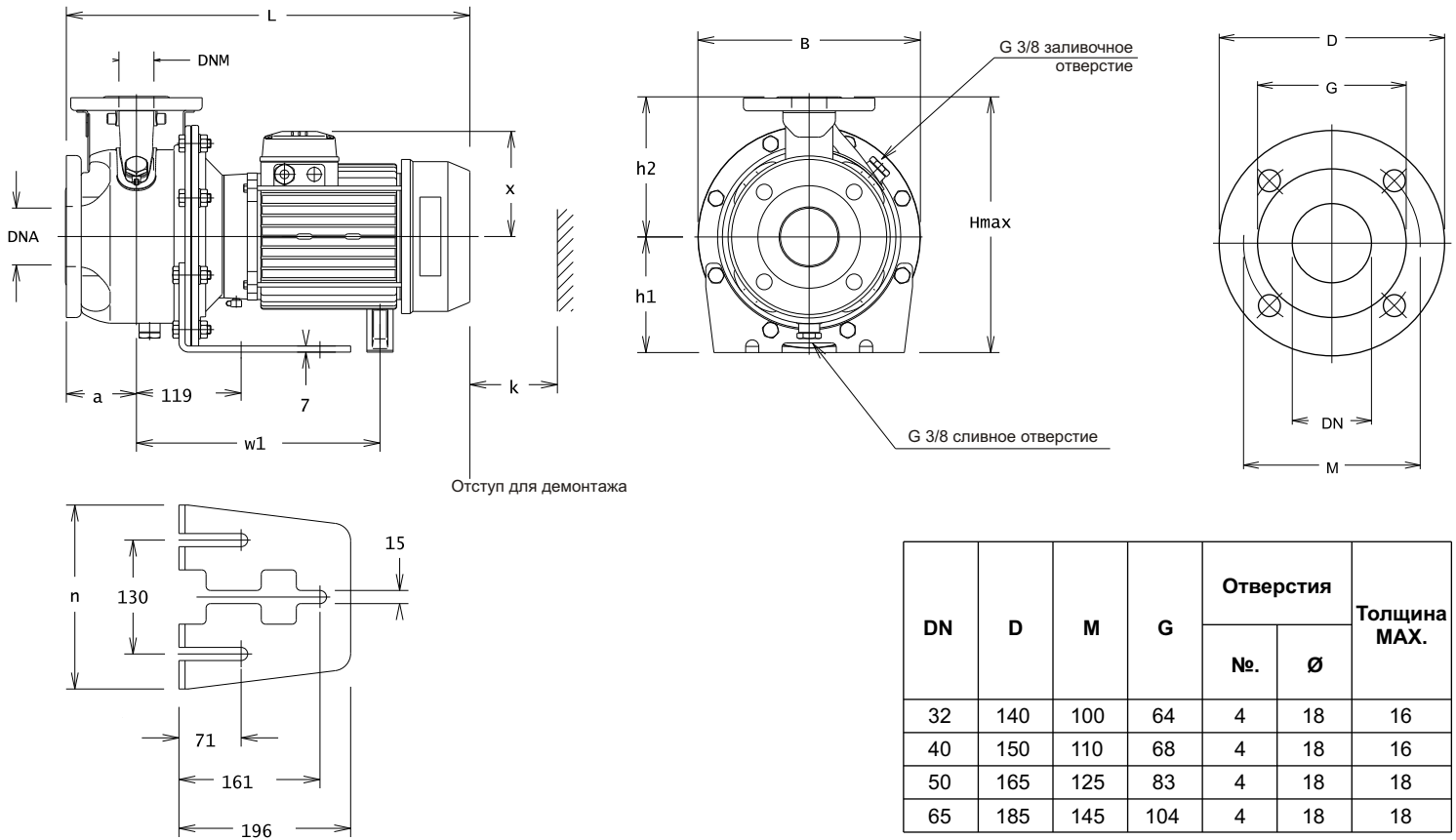
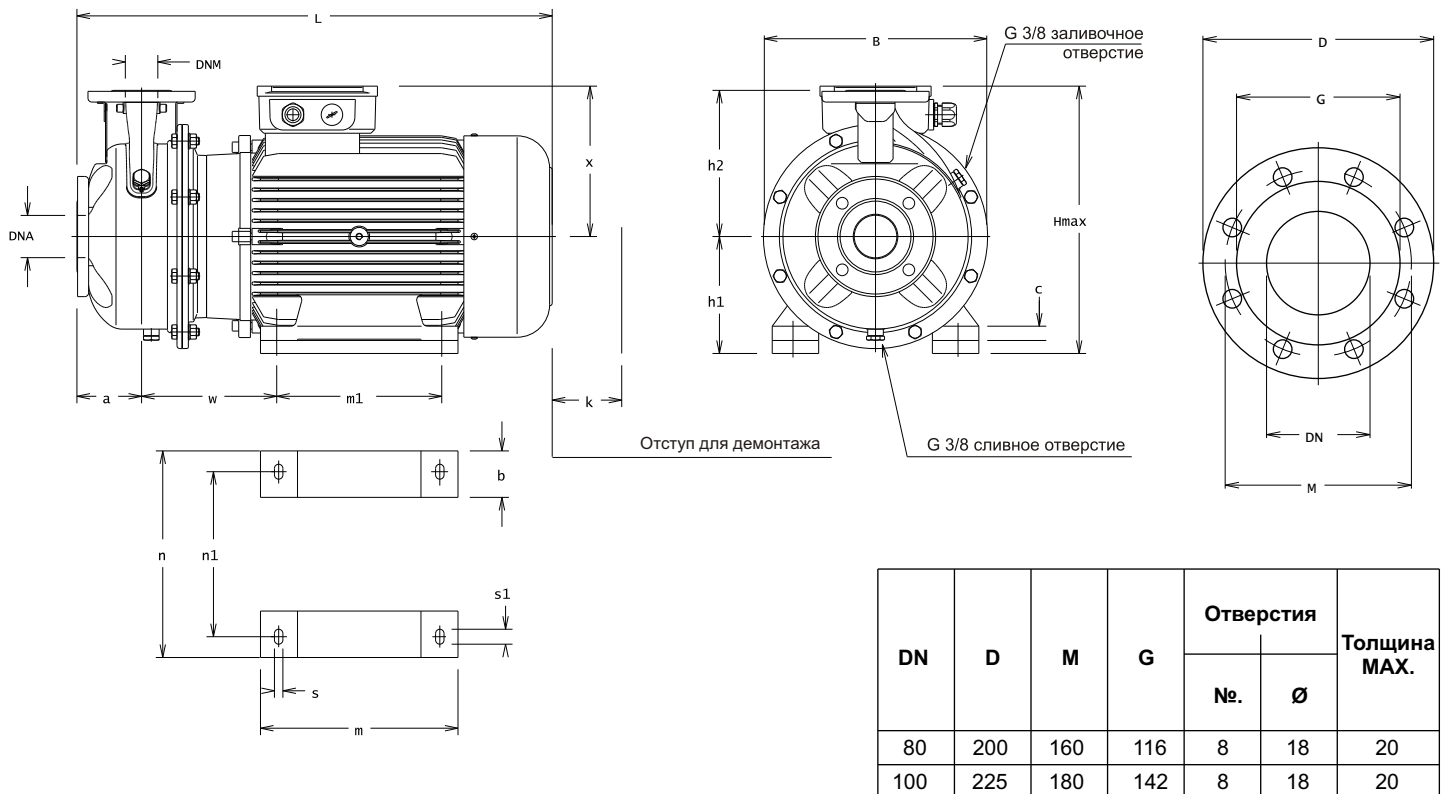


**Размеры и вес
2-х полюсной двигатель, мощность до 11 кВт:**



**Размеры и вес
2-х полюсной двигатель, мощность 15 кВт и выше:**



Серия SHE
Вес и размеры, 2-х полюсной двигатель:

Наименование	Насос							Станина								B	H _{max}	L	k	Вес, кг.																						
	DNM	DNA	a	h2	w	w1	x	b	c	c1	h1	m	m1	n	n1						s	s1																				
SHE 32-125/07	32	50	80	140	---	---	116	---	---	---	112	---	---	190	---	---	---	218	252	432	98	20																				
SHE 32-125/11				160			121				132			210				253				292	22																			
SHE 32-160/15				180			133				160			230				285				340	23																			
SHE 32-160/22			100	225	---	---	---				150			---				---	180	---		---	265	---	---	---	---	345	405	553	60											
SHE 32-200/30																																121	133	160	230	285	340	25				
SHE 32-200/40																																133	150	180	265	345	405	29				
SHE 32-250/55			40	65	80	140	---				---			116				---	---	---		112	---	---	190	---	---	---	219	252	432	100	23									
SHE 40-125/11																																	160	121	132	210	254	292	25			
SHE 40-125/15						180																											133	160	230	285	340	26				
SHE 40-125/22	200	150				180		265	345	405		29																														
SHE 40-160/30	100	225			---	---	---	150	---	---	180	---	---	265	---	---	---				---	345			405				604	107	46											
SHE 40-160/40																															121		133	160	230	285	340	51				
SHE 40-200/55																															133		150	180	265	345	405	62				
SHE 40-200/75																															150		180	208	232	72	22	20	180	260	210	318
SHE 40-250/92	50	65	100	160	---	---	121	---	---	---	132	---	---	210	---	---	---	254	292	481	104	29																				
SHE 50-125/30																						133	150	160	245	310	360	604	32													
SHE 50-125/40																						150	180	200	278	191	160	245	310	360	604	35										
SHE 50-160/55				200			278				191			---				---	---	---		160	---	---	260	210	---	---	---	---	310	360	604	107	47							
SHE 50-160/75																																			160	160	245	310	360	604	63	
SHE 50-200/92																																			180	180	245	310	360	604	67	
SHE 50-200/110				225			208				---			232				72	22	20		180	304	254	318	254	13	23	345	412	732	107	136	103								
SHE 50-250/150																																			260	210	688	119				
SHE 50-250/185																																			304	254	318	254	13	23	345	412
SHE 50-250/220	260	210	688		119																																					
SHE 65-160/40	65	80	100	200	---	---	133	---	---	---	160	---	---	245	---	---	---	310	360	507	115	60																				
SHE 65-160/55																						150	160	245	310	360	553	69														
SHE 65-160/75																						191	160	245	310	360	604	75														
SHE 65-160/92				225			208				---			232				72	22	20		180	304	254	318	254	13	23	310	412	732	130	139	101								
SHE 65-160/110																																			278	191	160	245	310	360	604	116
SHE 65-200/150																																			260	210	688	116				
SHE 65-200/185				304			254				318			254				13	23	310		412	732	130	139																	
SHE 65-200/220				260			210				688			116																												
SHE 80-160/110				80			100				125			225				---	278	191		---	---	---	180	---	---	265	---	---	---	345	405	629	160	102						
SHE 80-160/185	260	210	713		120																																					
SHE 80-200/220	208	---	232		72	22		20	180	304		254	318	254	13	23	345				412				757			139														
SHE 80-160/150	250	---	---		---	---		---	---	---		---	---	---	---	---	---				---				---			430				757				150						